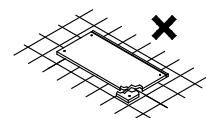
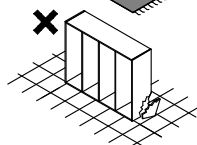
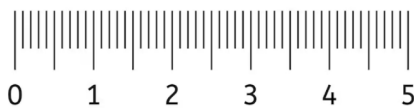
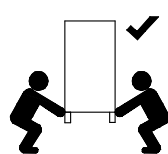
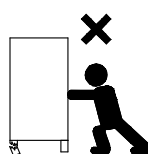
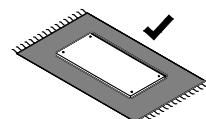
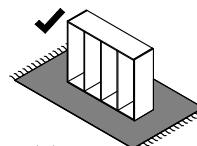
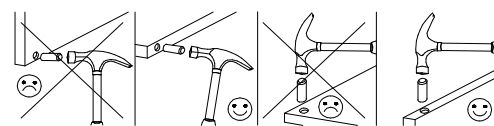
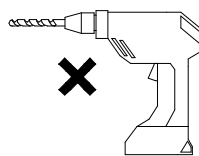
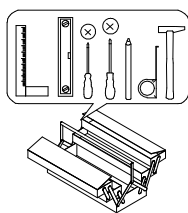
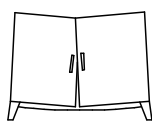
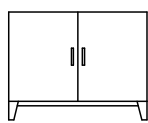
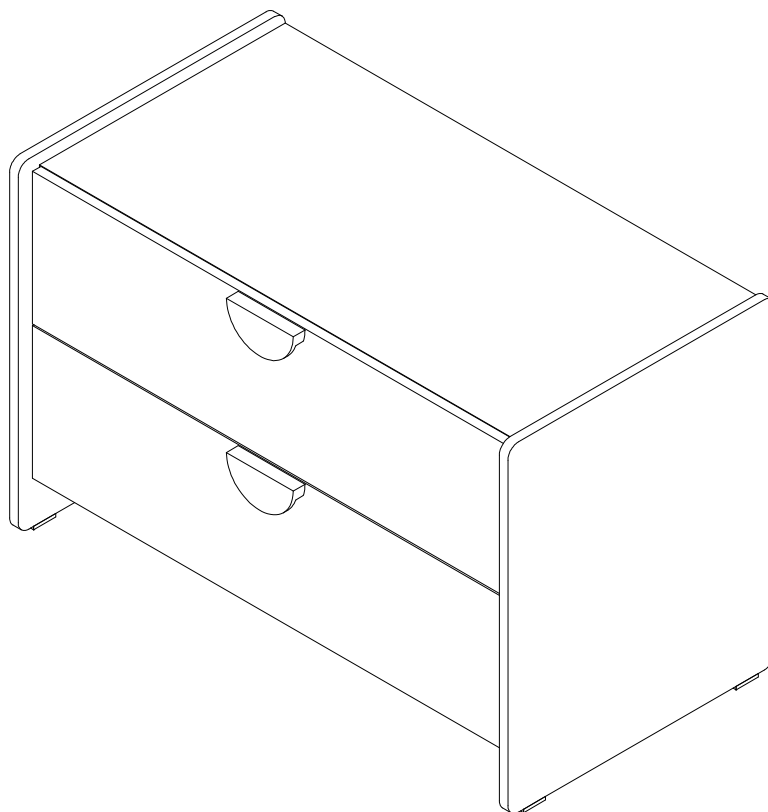
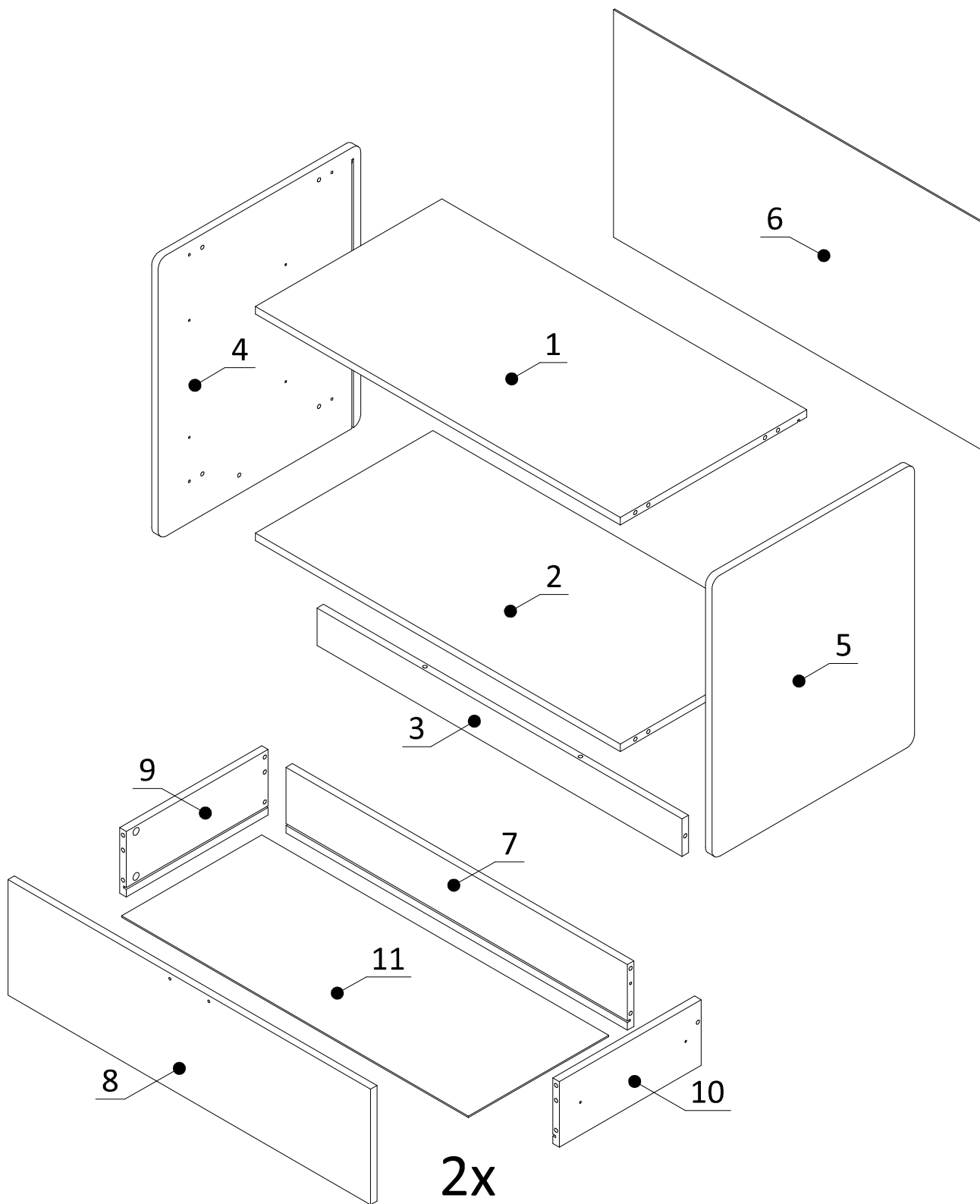


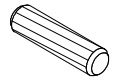
LEXI R-11





| | | | | | | | | | |
|-----------------------|----------------------|-----------------------|-----------------------|----------------------|----------------------|--------------|----------------------|-------------|--------------|
| 5x13 E1 16x | 7x50 KF 4x | L20,3 T 16x | 15/12 M 16x | 8x30 K 24x | 2x PK-OH35-350 | | | | |
| 3x13 W1 4x | 4x30 W6 4x | U 2x | SW4 KL 1x | ZM 16x | L350 WS 2x | SL 5x | 2x20 G 10x | S 3x | PS 1x |

1



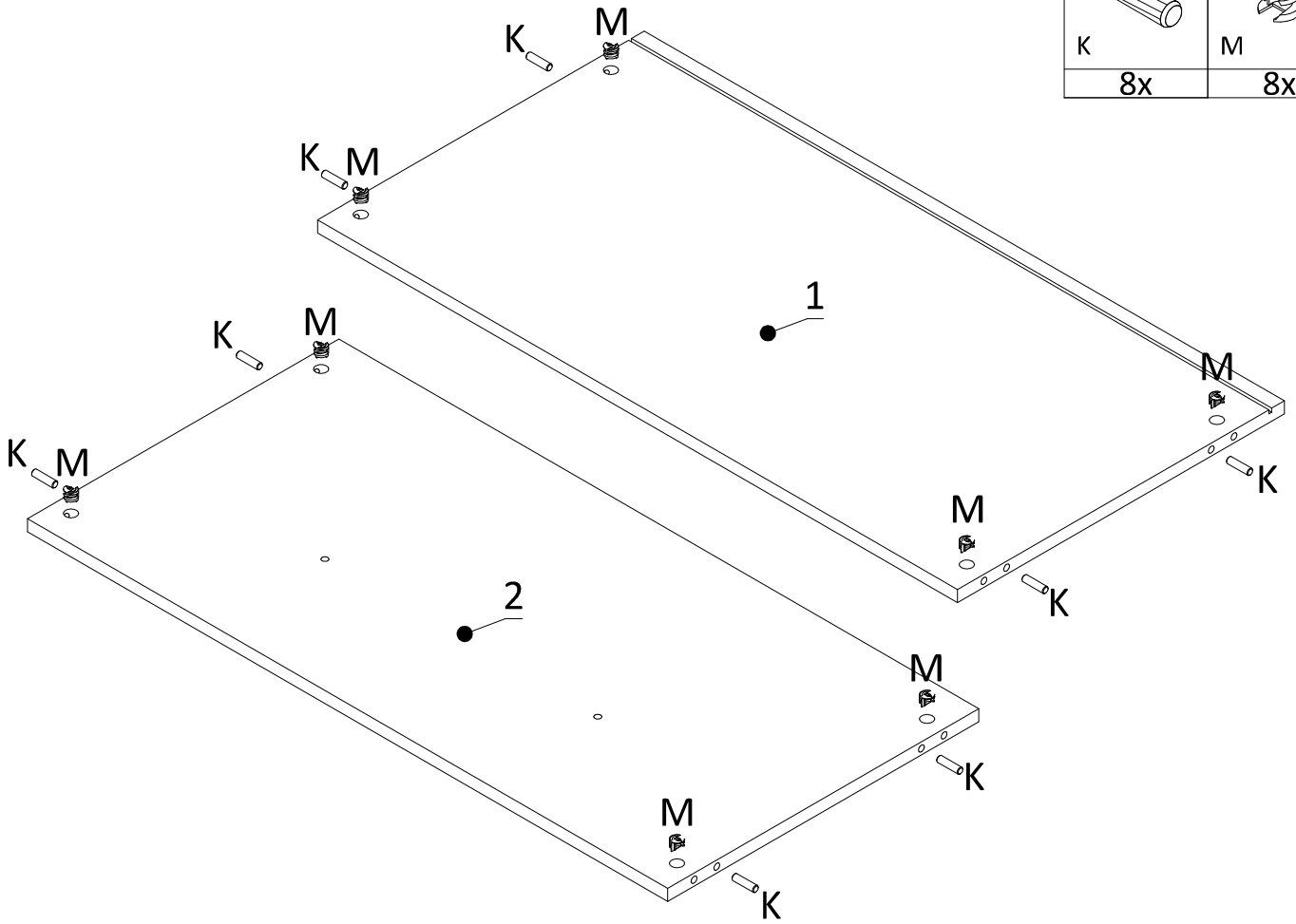
K

8x

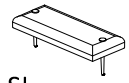


M

8x

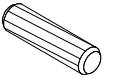


2



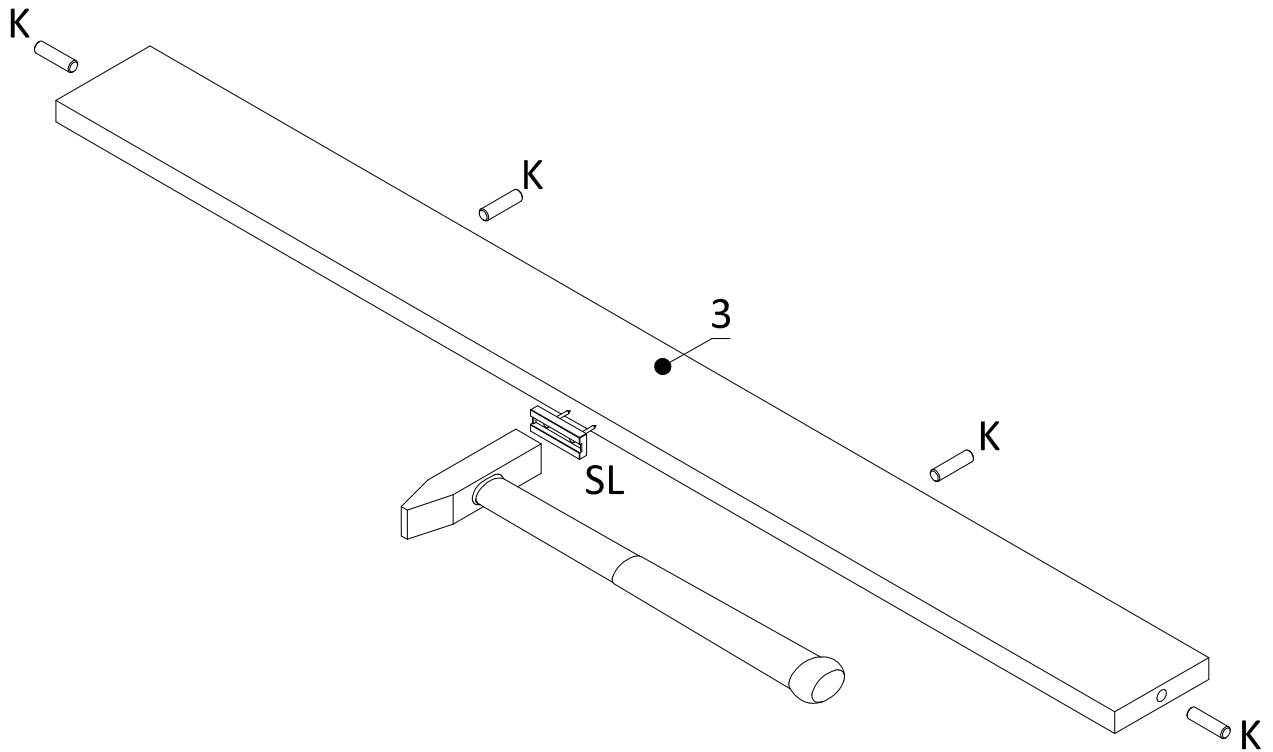
SL

1x

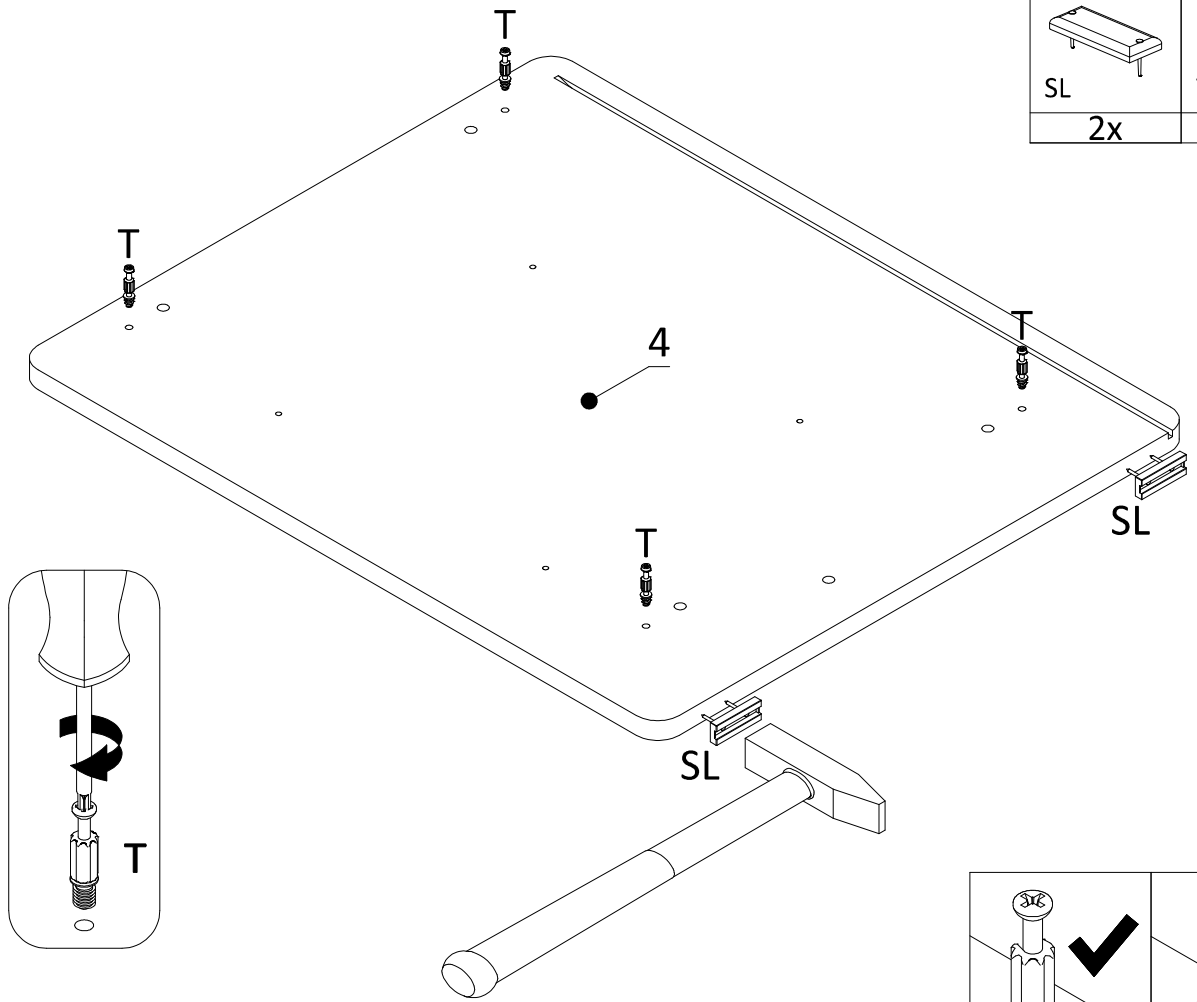


K

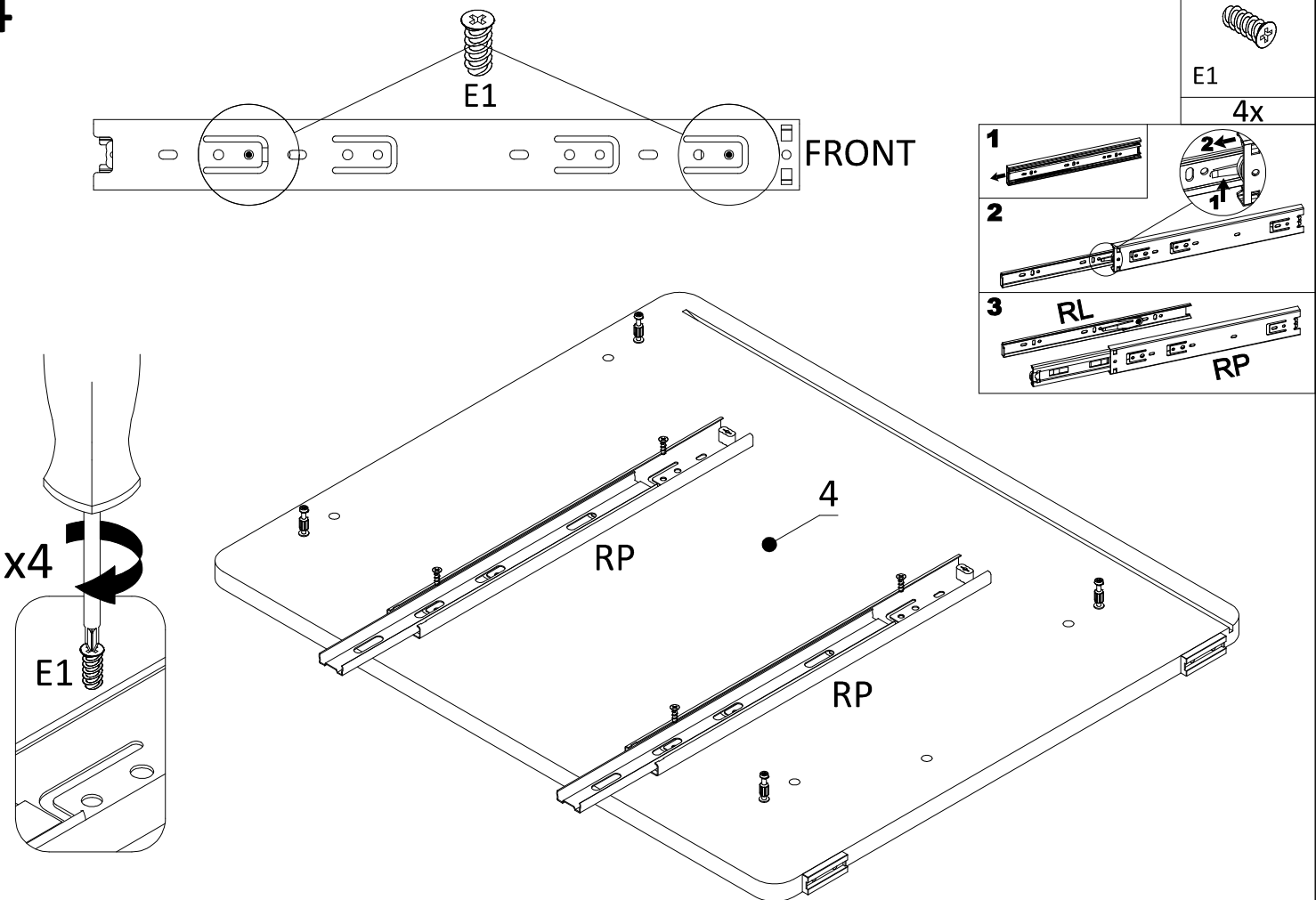
4x



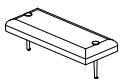
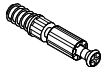
3

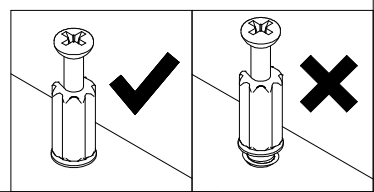
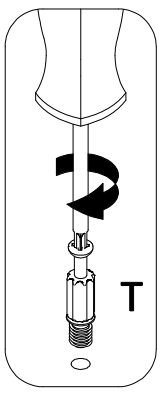
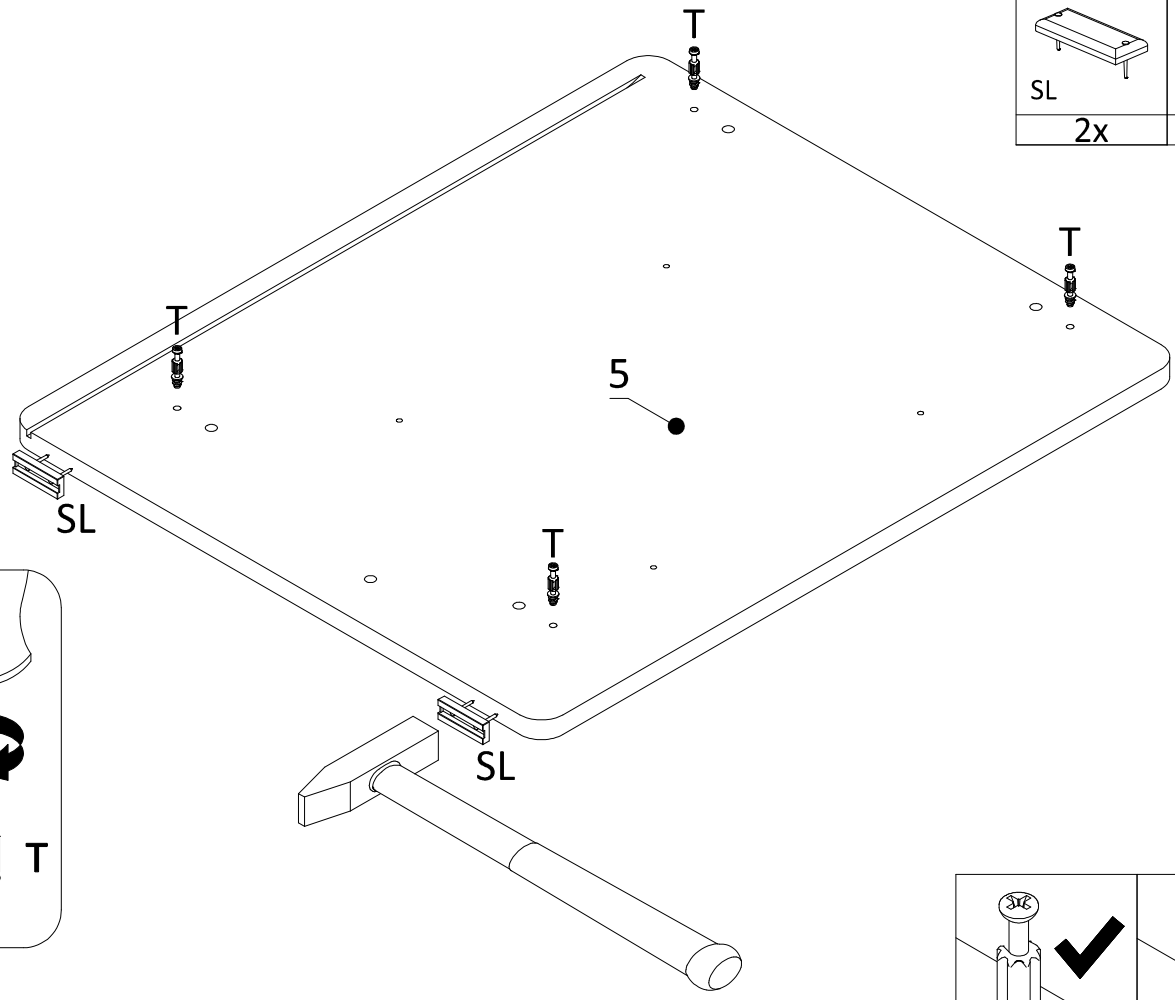


4

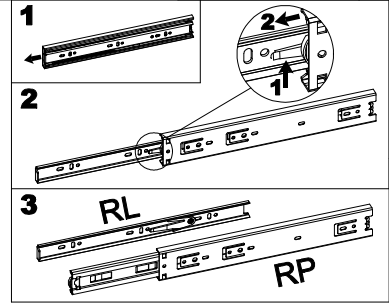
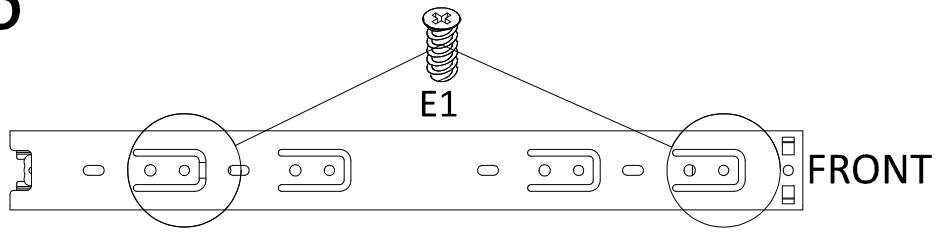



5

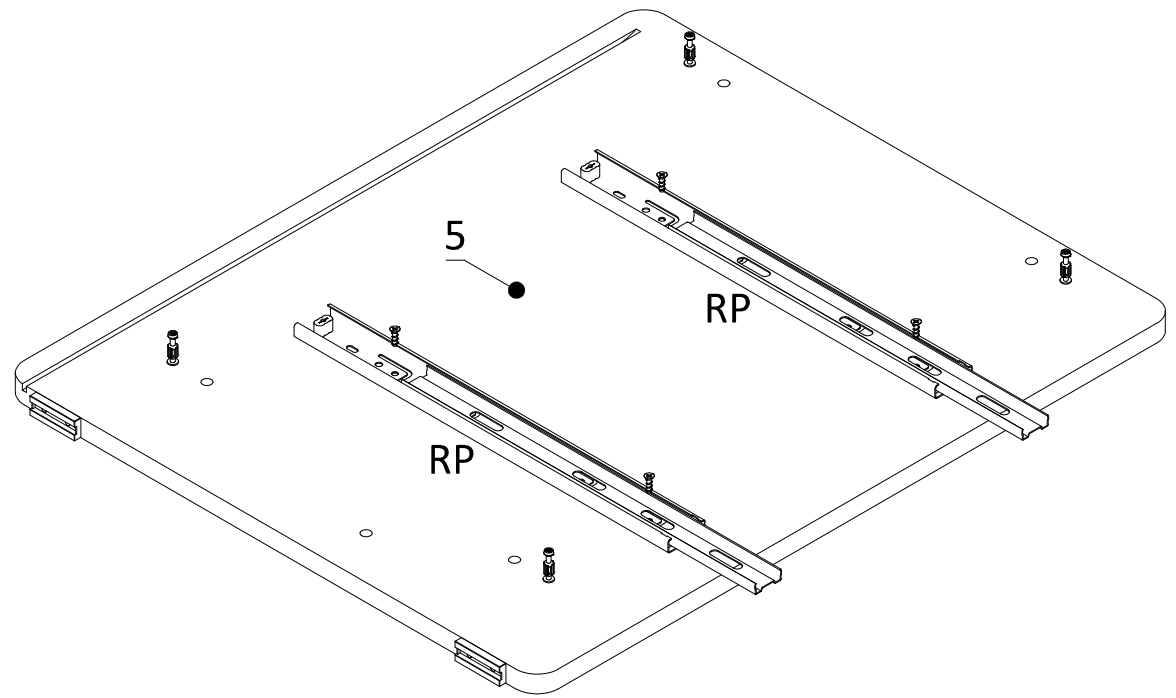
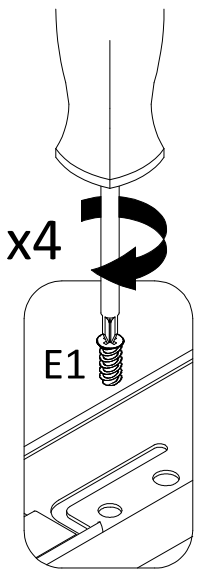
| | |
|--|--|
|  |  |
| SL | T |
| 2x | 4x |



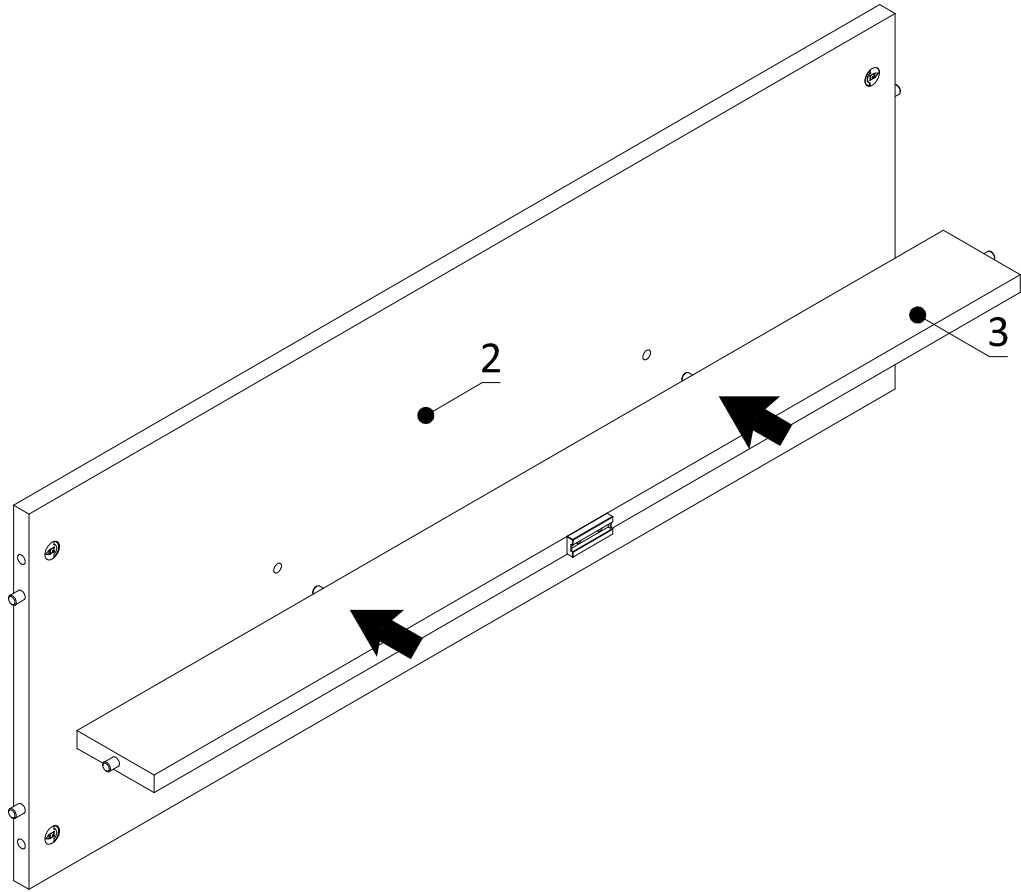
6



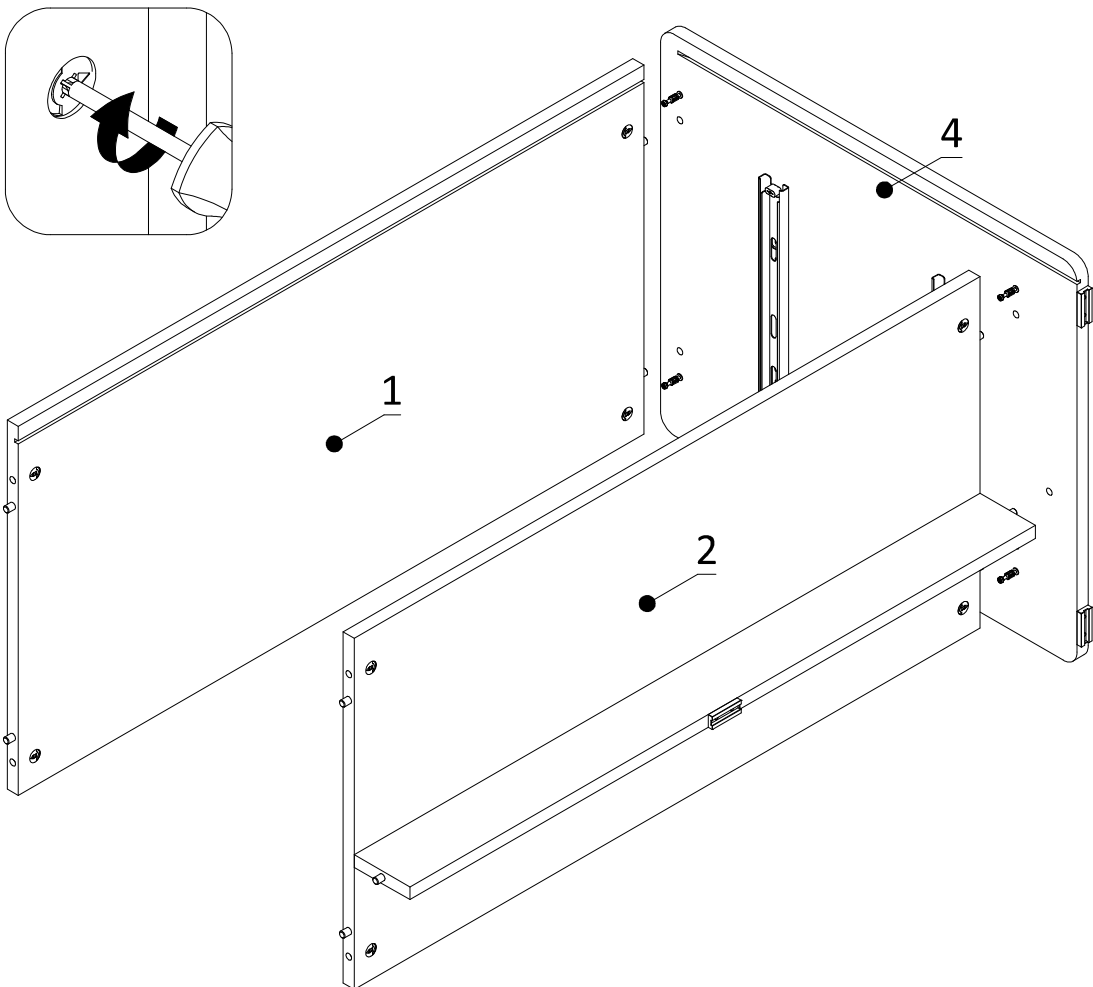
| |
|---|
|  |
| E1 |
| 4x |



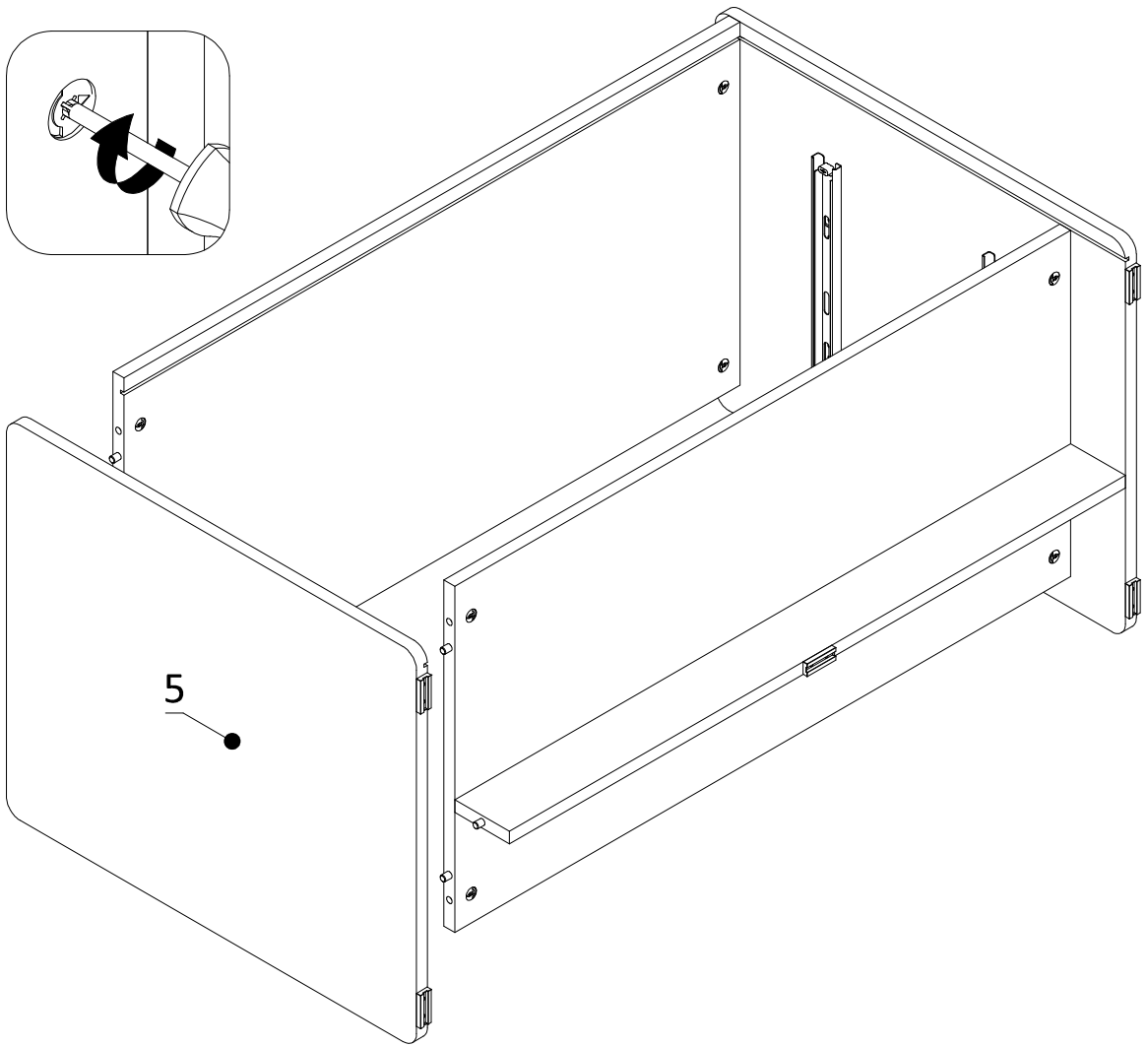
7



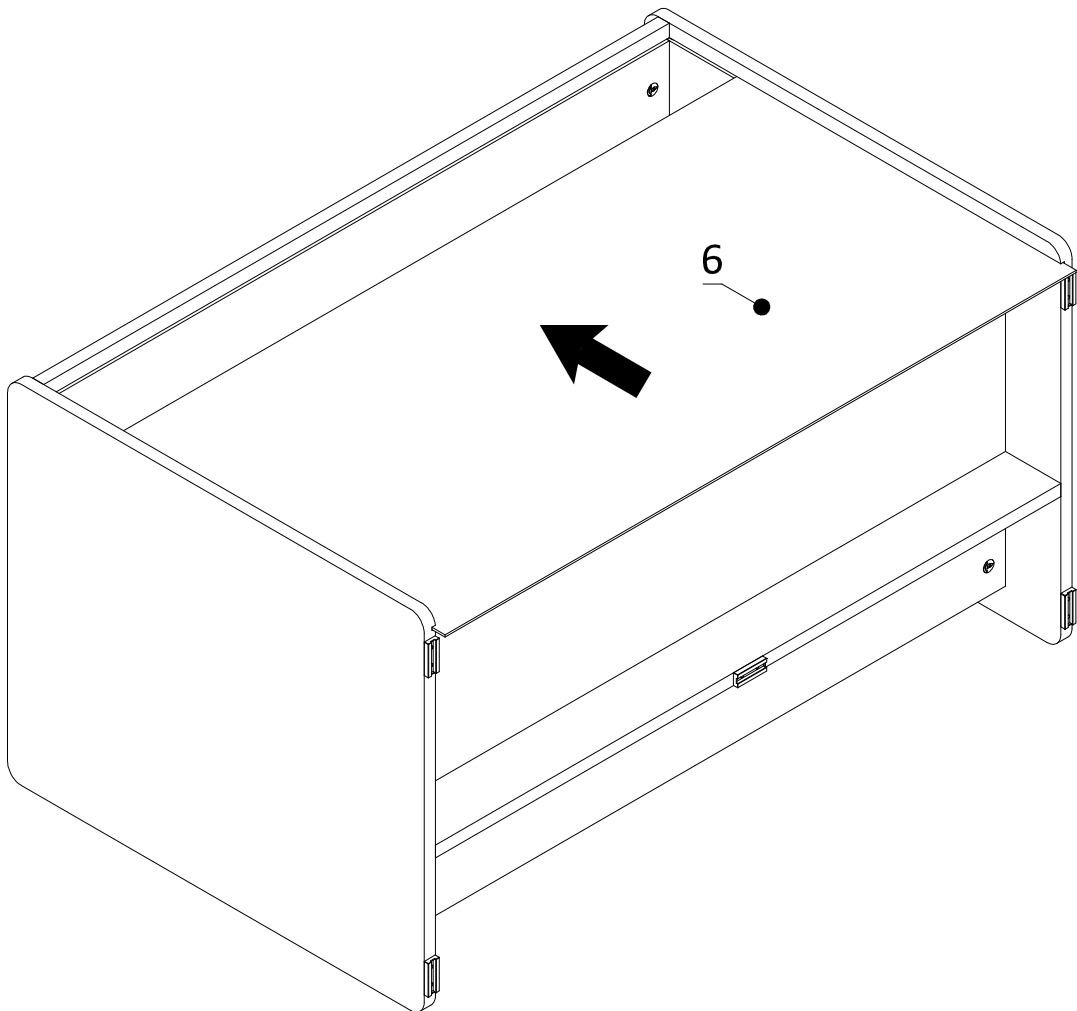
8



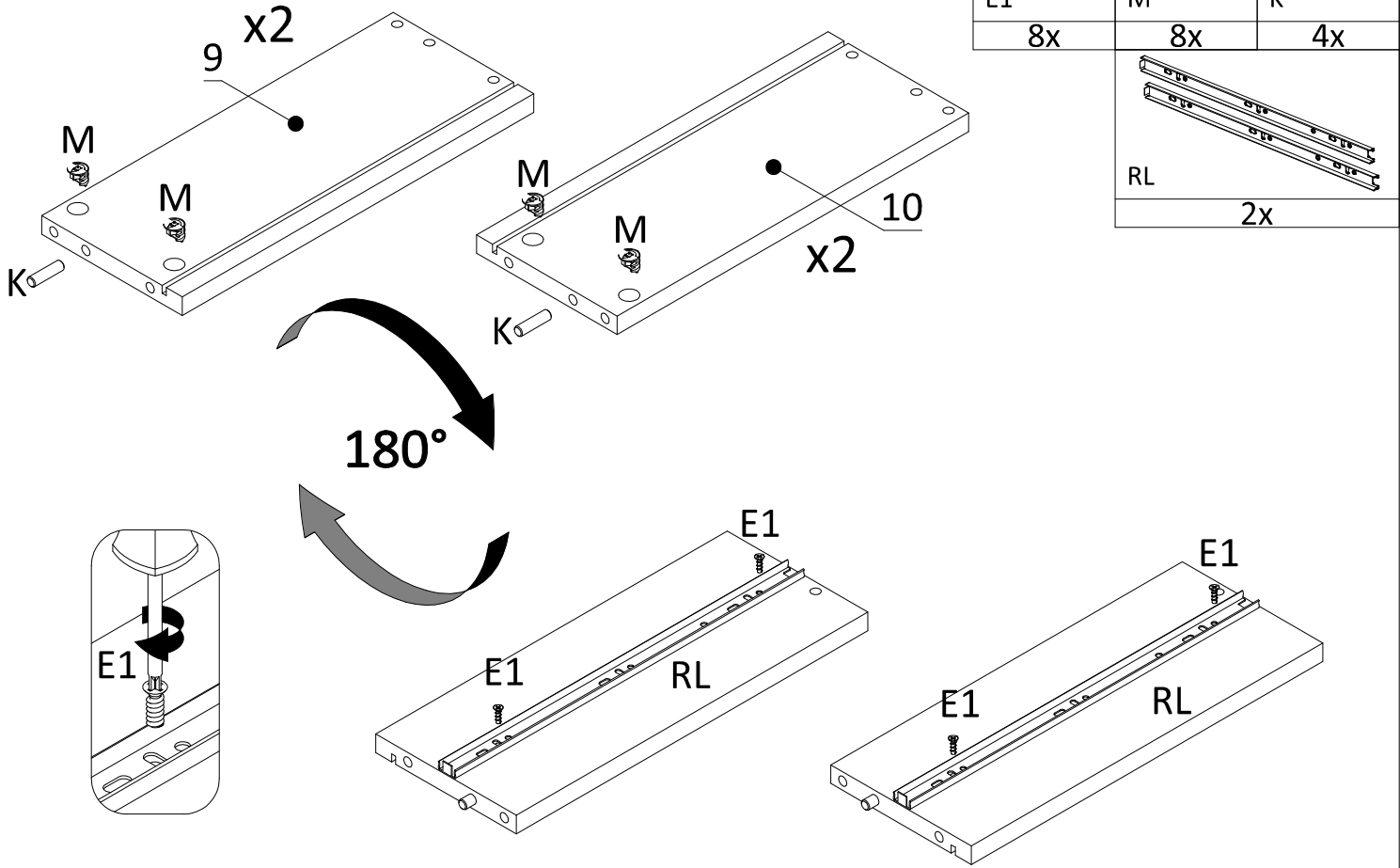
9



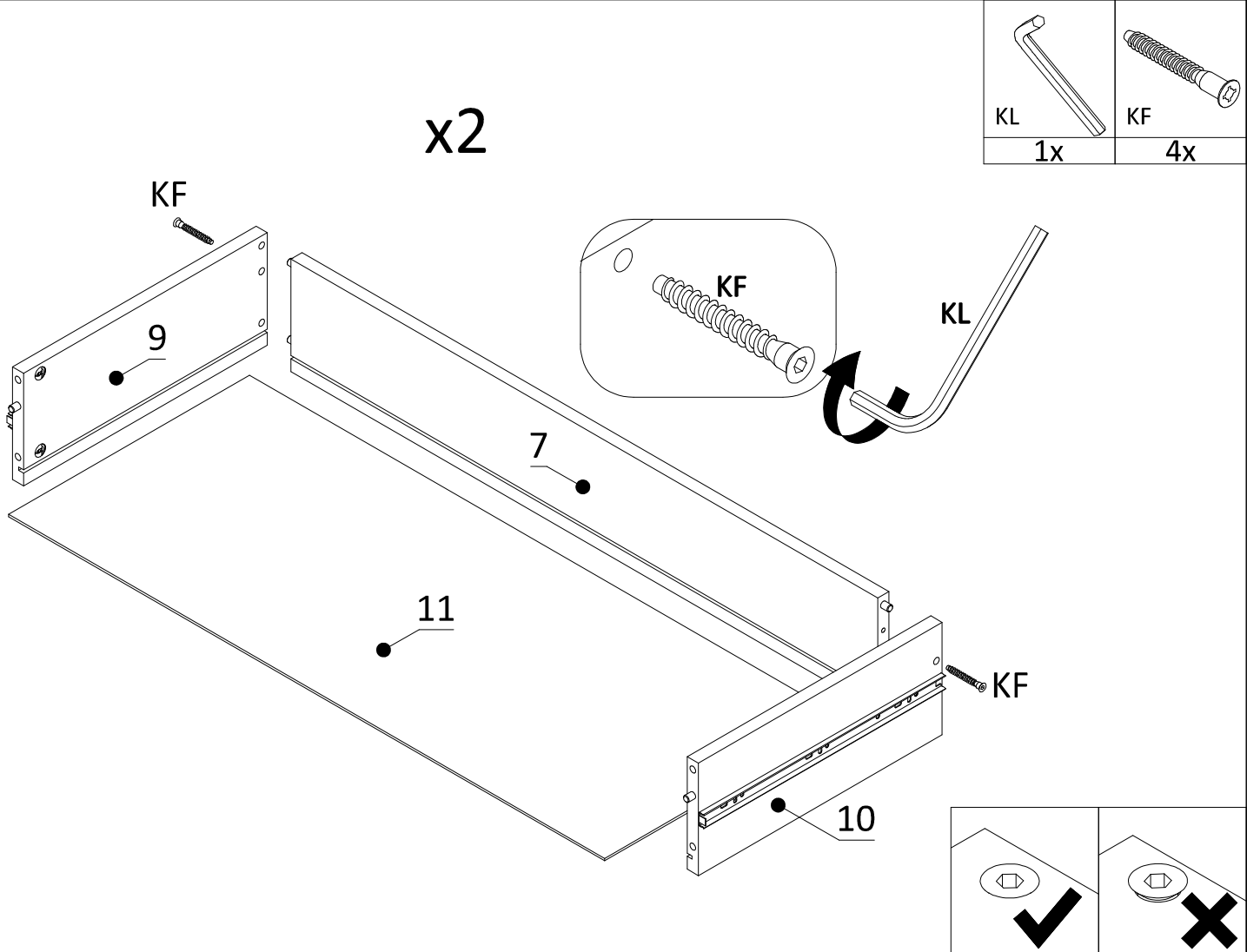
10



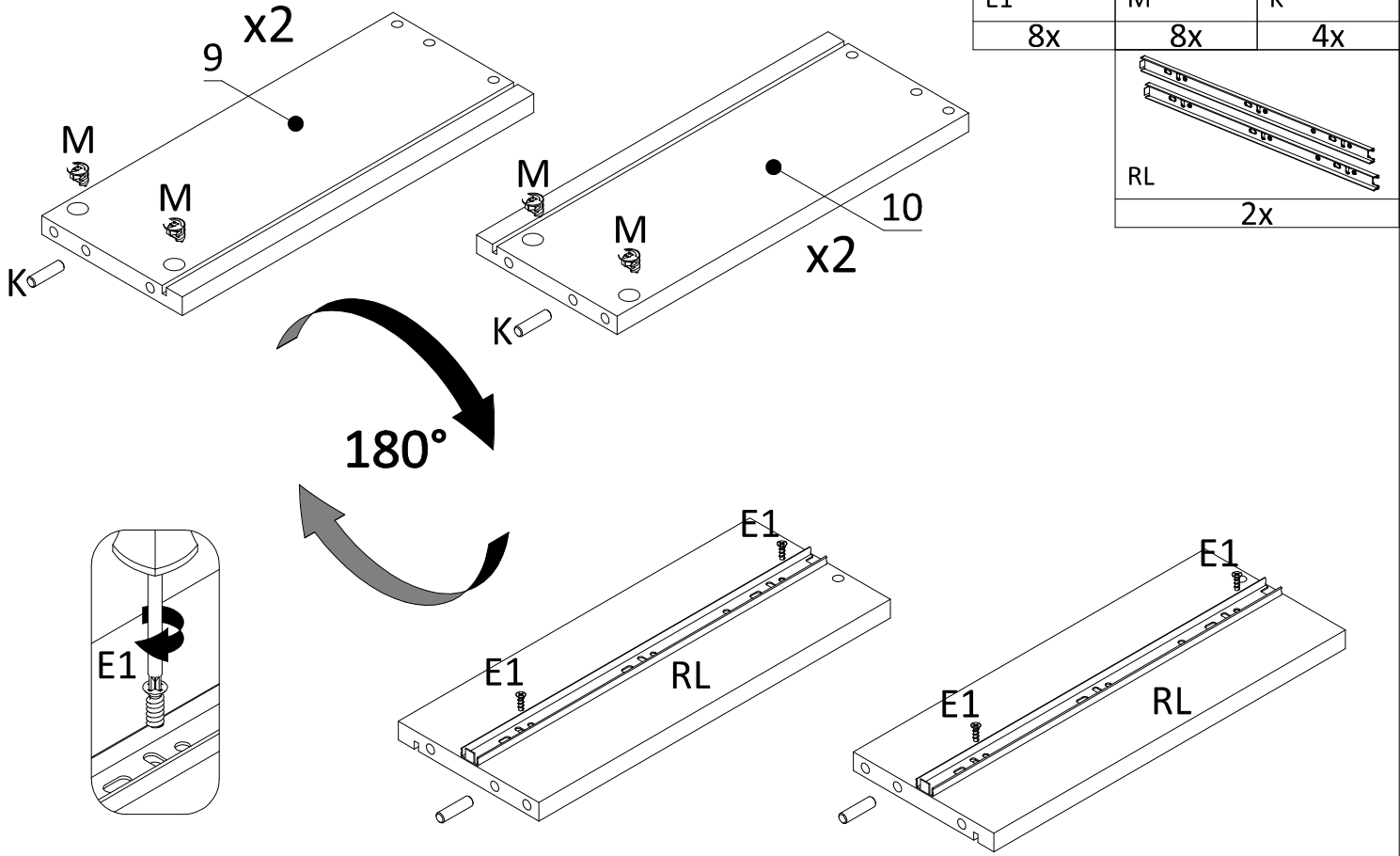
13



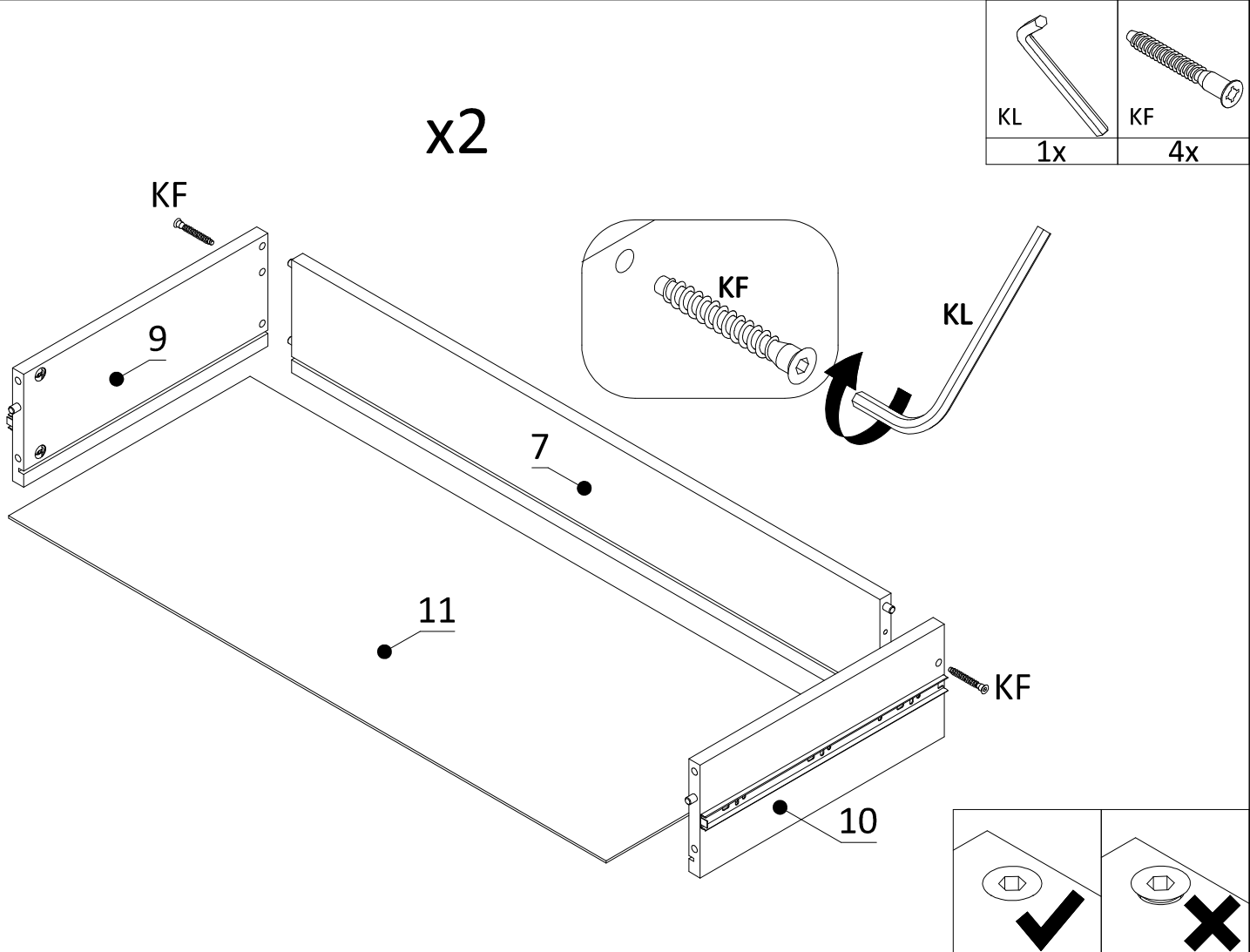
14



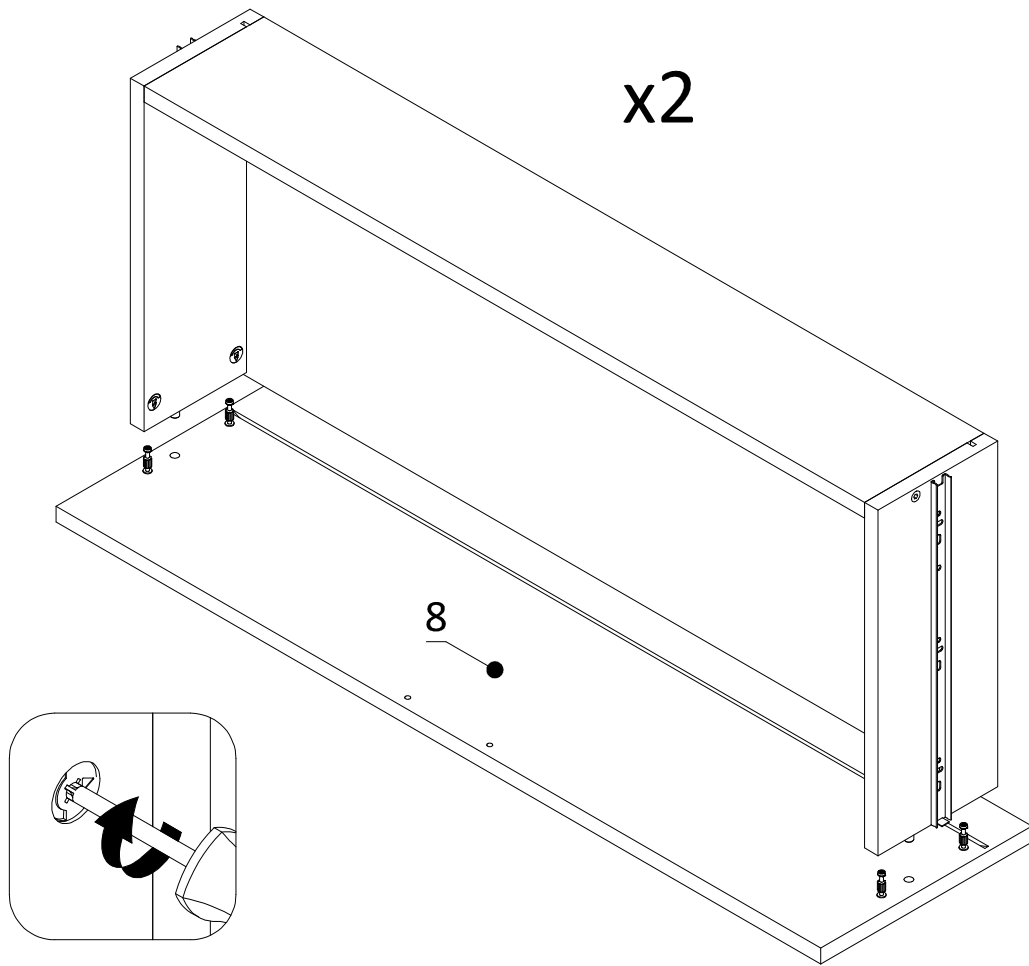
13



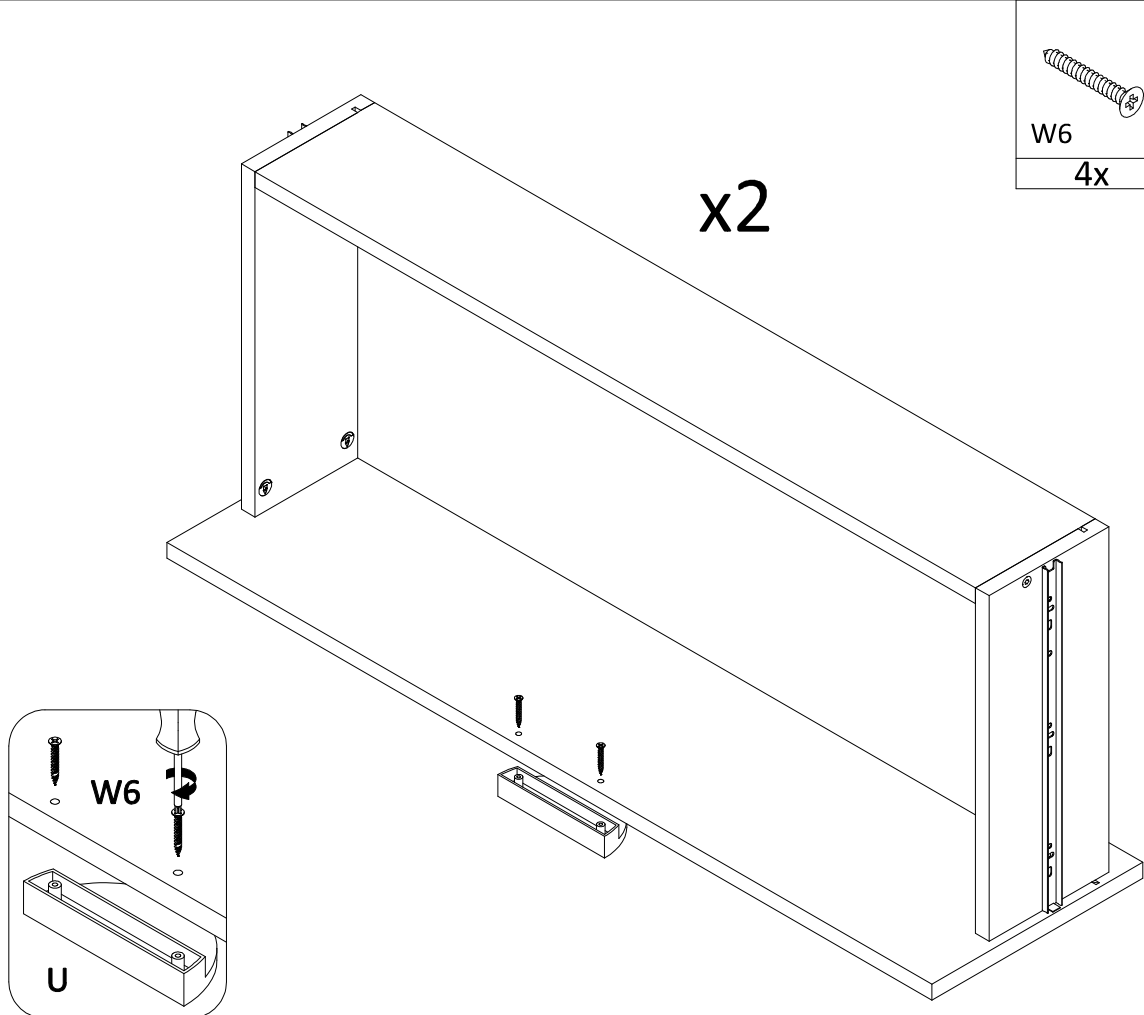
14


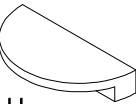


15

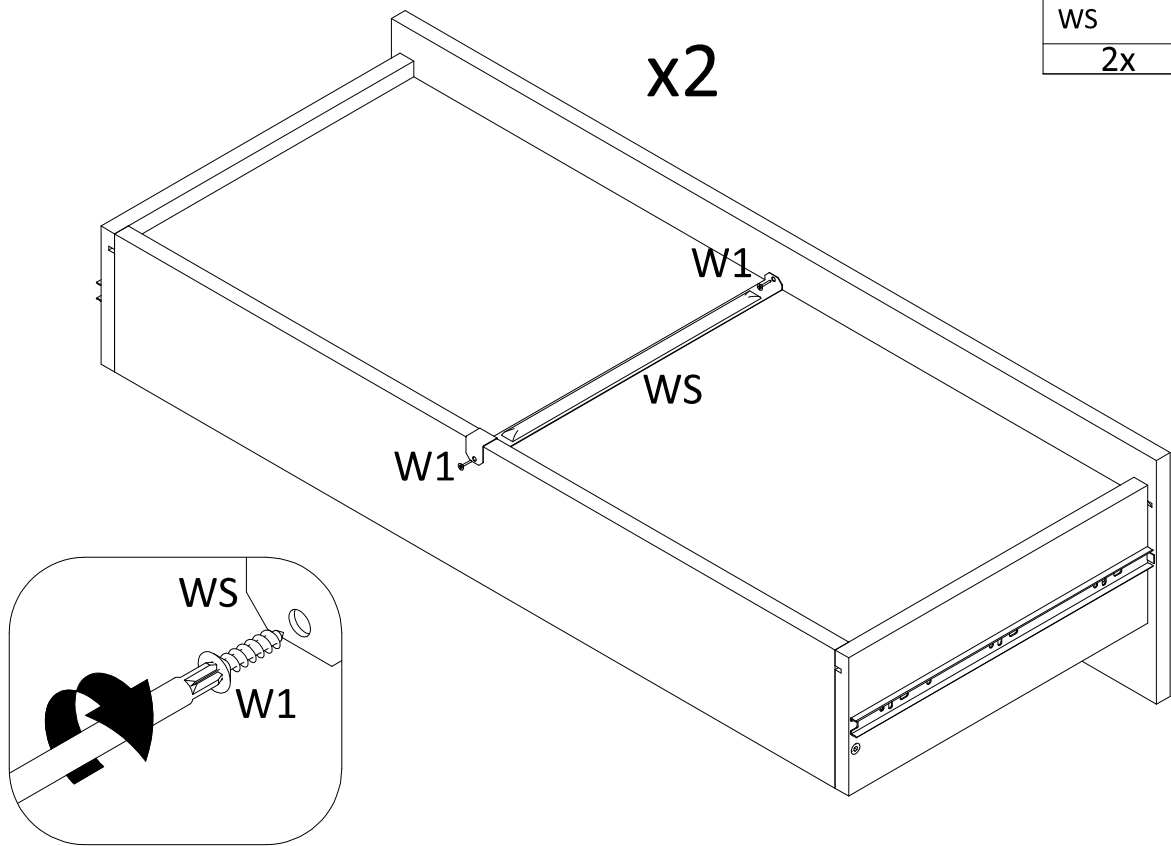


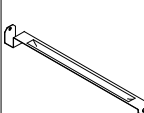

16



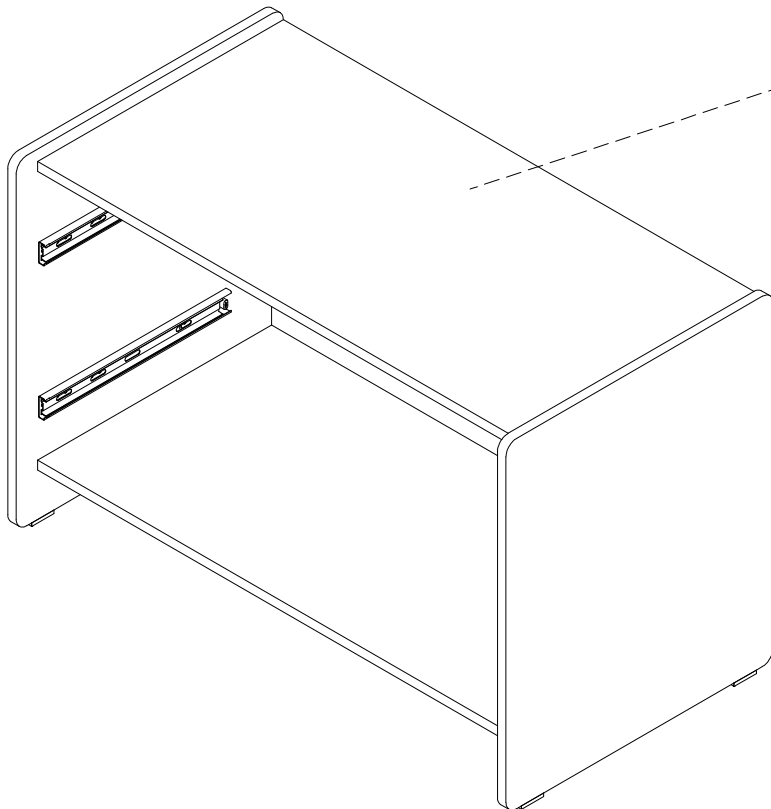
| | |
|---|---|
|  |  |
| W6 4x | U 2x |

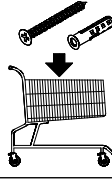

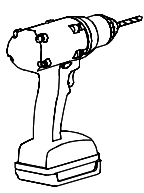
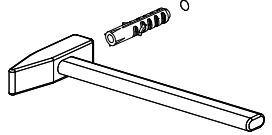
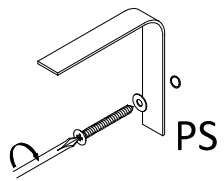
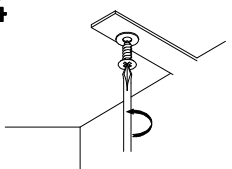
17



| | |
|--|--|
|  |  |
| WS | W1 |
| 2x | 4x |

18



| | |
|---|---|
|  |  |
| | PS |
| | 1x |
| 1 |  |
| 2 |  |
| 3 |  |
| 4 |  |

19

